



Data Sheet

Super Noise-Lock® Steel Acoustic Door



Overview

- Field verified performance rating
- Manufactured to custom sizes
- Available with Noise-Lock® (man doors) within as means of egress
- Available as swing (single, double, tri & quad-leaf), horizontal slide (single slab or bi-parting) & vertical lift
- Rugged steel construction
- Glazing options available
- Available with manual or electric operation
- Door leaf is 4" or 6" thick
- Used when door size exceeds 14' x 14'

Acoustic Rating

STC 50 (dB) to achieve minimum NIC 45 and STC 55 (dB) to achieve minimum NIC 50 once installed (subject to flanking).

Frequency (Hz)	125	160	200	250	315	400	500	630	800	1000	1250	1600	2000	2500	3150	4000
STC 50 (NIC 46 Performance) Swing	48	51	50	46	44	47	49	47	49	48	45	47	45	47	46	46
STC 55 (NIC 53 Performance) Swing	48	44	45	48	51	51	52	50	52	51	50	52	58	59	64	65
STC 55 (NIC 54 Performance) Sliding	45	45	45	45	49	49	49	52	52	52	60	60	65	65	65	63

Standard Features

Optional Extras



Acoustic Rated



Blast Resistance



Easy Access Flat Thresholds



Ballistic Ratings



Fire Rated

Overview

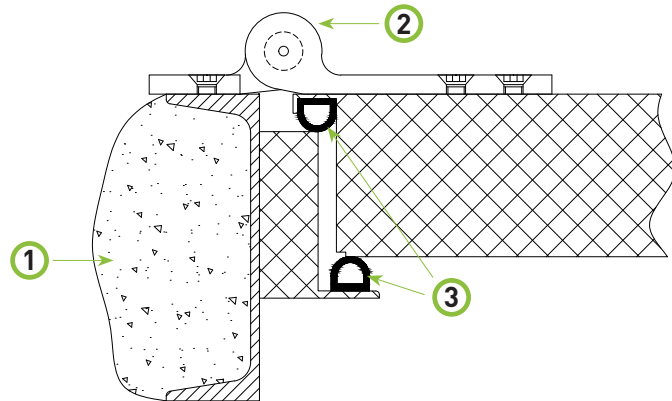
IAC Acoustics produces an engineered system complete with a leaf, acoustic seals, cam-lift hinges and hardware. Super Noise-Lock® doors are field-tested for performance. IAC Acoustics is renowned for quality, durability and guarantees in-field performance.

Hardware

IAC Acoustics Super Noise-Lock® doors are available with a number of standard and custom hardware options. Please contact your local IAC Acoustics office for further details.

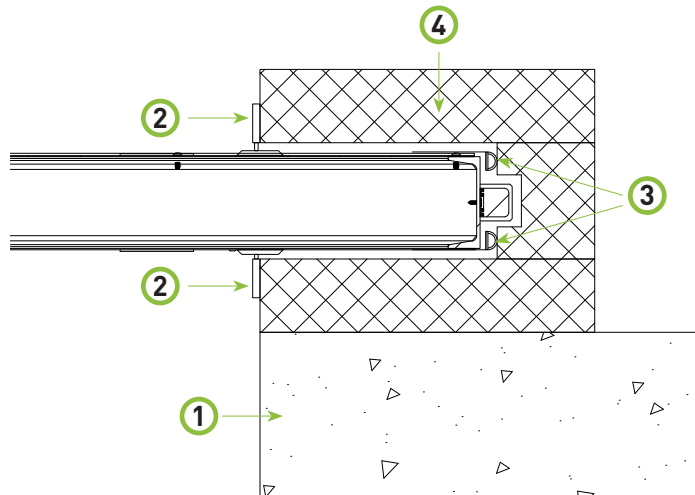
Super Noise-Lock Swing Door Seal Detail

- ① Host Wall
- ② Cam-lift Hinge
- ③ Seal – “D” Bulb Seal/Compression



Super Noise-Lock Sliding Door Seal Detail

- ① Host Wall
- ② Wiper Seals
- ③ Seal – “D” Bulb Seal/Compression
- ④ Acoustic Labyrinth



Performance Features

- Cam-lift hinges lower and seal the door to the floor eliminating the high maintenance of automatic drop seals
- System eliminates in-field grouting to achieve the specified acoustic performance with quick and clean installation