

Ultra Pals™ Packless Silencers

Section 15000 Specifications

1.01 General

- A. Furnish and install "Ultra-Pals" packless silencers of the types and sizes shown on the plans and/or listed in the schedule. Silencers shall be the product of IAC Acoustics. Any specification change must be submitted in writing and approved by the Architect/Engineer, in writing, at least 10 days prior to the bid due-date.

2.01 Materials

- A. Unless otherwise specified, the silencers shall be constructed of Type #G-90 lock-former-quality galvanized steel. The silencer casings shall be a minimum of #22 Gauge solid galvanized. The internal partitions shall be a minimum of #26 Gauge perforated galvanized.
- B. No sound absorptive material of any kind is to be used in the silencers. The silencers shall attenuate air/gas transmitted noise solely by virtue of controlled impedance membranes and broadly tuned resonators.
- C. Combustion ratings for the silencer acoustic fill shall be not greater than the following when tested to ASTM E 84, NFPA Standard 255, or UL No. 723:

Flamespread Classification	0
Smoke Development Rating.....	0

3.01 Construction

- A. Units shall be constructed in accordance with the ASHRAE Guide recommendations for high pressure duct work. Seams shall be lock formed and mastic filled. Rectangular casing seams shall be in the corners of the silencer shell to provide maximum unit strength and rigidity. Interior partitions shall be fabricated from single-piece, margin-perforated sheets and shall have die-formed entrance and exit shapes so as to provide the maximum aerodynamic efficiency and minimum self-noise characteristics in the sound attenuator. Blunt noses or squared off partitions will not be accepted.
- B. The interior partitions shall be attached to the casing by means of an interlocking track assembly. Tracks shall be solid galvanized steel and shall be welded to the outer casing. Attachment of the interior partitions to the tracks shall be such that a minimum of 4 thicknesses of metal exist at this location.
- C. The track assembly shall stiffen the exterior casing, provide a reinforced attachment detail for the interior partitions, and shall maintain a uniform airspace width along the length of the silencer for consistent aerodynamic and acoustic performance.
- D. Sound attenuating units shall not fail structurally when subjected to a differential air pressure of 8 inches water gauge from inside to outside the casing.

4.01 Acoustic Performance

- A. All silencer ratings shall be determined in a duct-to-reverberant room test facility which provides for airflow in both directions through the test silencer in accordance with ASTM Specification E477-99. The test facility shall be NVLAP accredited for the ASTM E477-99 test standard. Data from a non-accredited laboratory will not be acceptable. The test set-up and procedure shall be such that all effects due to end reflection, directivity, flanking transmission, standing waves and test chamber sound absorption are eliminated.

Acoustic ratings shall include Dynamic Insertion Loss (DIL) and Self-Noise (SN) Power Levels both for FORWARD FLOW (air and noise in same direction) and REVERSE FLOW (air and noise in opposite directions) with airflow of at least 2000 fpm entering face velocity. Data for rectangular and tubular type silencers shall be presented for tests conducted using silencers no smaller than the following cross-sections:

Rectangular, inch: 24 x 24, 24 x 30, or 24 x 36

5.01 Aerodynamic Performance

- A. Static pressure loss of silencers shall not exceed those listed in the silencer schedule as the airflow indicates. Airflow measurements shall be made in accordance with ASTM specification E477-99 and applicable portions of ASME, AMCA, and ADC airflow test codes. Tests shall be reported on the identical units for which acoustic data is presented.

6.01 Certification

- A. With submittals, the manufacturer shall supply certified test data on Dynamic Insertion Loss, Self-Noise Power Levels, and Aerodynamic Performance for Reverse and Forward Flow test conditions. Test data shall be for a standard product. All rating tests shall be conducted in the same facility, shall utilize the same silencer, and shall be open to inspection upon request from the Architect/Engineer.

7.01 Duct Transitions

- A. When transitions are required to adapt silencer dimensions to connecting duct work they shall be furnished by the installing contractor.

Ultra Pals™ Packless Silencers

Type: XM

Forward & Reverse Flow Ratings



- NO FIBERGLASS
- NO MINERAL WOOL
- NO FOAM
- NO FILL OF ANY KIND

The IAC Type XM Packless Silencers provide excellent low frequency Dynamic Insertion Loss characteristics making them suitable for virtually any HVAC application.

The complete absence of fill, combined with ease of cleaning and draining, makes Ultra-Pals Silencers well suited for chemical plants, refineries and facilities handling gasoline, grease, solvents or other hazardous materials.

The broad band Dynamic Insertion Loss characteristics of these packless silencers makes them an excellent choice for pharmaceutical, cosmetic, food & dairy plants, hospital operating rooms, electronic manufacturing and other clean room applications where particulate matter or fiber erosion from conventional fill materials could contaminate the air/gas streams.

Designating Silencers

Model: 5XM 24 x 18

Type: XM **Length:** 5' **Width:** 24" **Height:** 18"

Table I: Dynamic Insertion Loss (DIL) Ratings: Forward (+) / Reverse (-) Flow

IAC Model	Octave Band	1	2	3	4	5	6	7	8
	Hz	63	125	250	500	1K	2K	4K	8K
	Face Velocity, fpm	Dynamic Insertion Loss, dB							
3XM	-1500	6	8	12	18	22	13	10	7
	-1000	6	6	10	17	20	12	9	8
	0	4	4	7	15	17	11	10	9
	1000	6	4	10	17	20	12	10	9
	1500	5	5	11	17	23	13	10	8
6XM	-1500	10	15	23	33	30	16	11	10
	-1000	9	12	17	30	25	14	12	11
	0	5	7	11	25	22	14	13	12
	1000	7	9	15	27	25	14	14	12
	1500	7	11	17	30	29	16	14	13
9XM	-1500	12	22	32	39	38	21	16	13
	-1000	10	19	26	36	31	19	18	16
	0	7	12	15	31	27	19	18	17
	1000	8	16	22	35	29	20	19	18
	1500	7	17	25	38	34	22	18	17



(+) Forward Flow / (-) Reverse Flow. Aero-acoustic performance data based on NVLAP accredited laboratory tests conducted in strict accordance with ASTM E477-99. Contact IAC if attenuation in excess of 50 dB is required.

Table II: Weights & Measures

Nominal Length	W/In H/In	12	12	12	12	12	12	12	24	24	24	24	24	24
3'	Wt/lb.	28	37	45	54	63	72	55	67	82	98	113	130	130
6'		56	74	90	108	126	144	110	134	164	196	226	258	258
9'		84	111	135	162	189	216	156	201	246	294	339	380	380

Table III: Aerodynamic Performance

IAC Model	L/Ft	Static Pressure Drop, i.w.g.															
		XM	3'	0.02	0.03	0.04	0.06	0.07	0.09	0.11	0.13	0.15	0.17	0.20	0.23	0.26	0.29
6'	0.03		0.04	0.06	0.08	0.10	0.12	0.15	0.17	0.20	0.24	0.27	0.31	0.35	0.39	0.43	0.48
9'	0.04		0.05	0.07	0.10	0.12	0.15	0.18	0.22	0.26	0.30	0.34	0.39	0.44	0.49	0.55	0.60
Silencer Face Velocity, fpm		250	300	350	400	450	500	550	600	650	700	750	800	850	900	950	1000

Table IV: Self-Noise Power Levels, dB re: 10-12 Watts

IAC Model	Octave Band	1	2	3	4	5	6	7	8
	Hz	63	125	250	500	1K	2K	4K	8K
	Silencer Face Velocity, fpm								
3XM	-3000	64	62	64	66	65	64	66	62
	-2000	53	50	54	56	56	59	58	51
	-1000	42	40	43	45	47	46	37	27
	1000	47	34	36	35	40	37	27	20
6XM	-2000	64	61	58	59	60	64	67	64
	-1000	56	52	52	52	55	61	60	50
9XM	1000	58	54	49	46	52	60	60	50
	2000	66	67	65	61	58	63	69	67

(+) Forward Flow / (-) Reverse Flow. Aero-acoustic performance data based on NVLAP accredited laboratory tests conducted in strict accordance with ASTM E477-99.

TAKE NOTE!

- Silencer Face Area is the cross-sectional area at the silencer entrance
- Face Velocity is the CFM of airflow divided by the Face Area (in sq. ft.)
- Pressure Drop for any velocity can be calculated from this equation:
 $PD = (Actual\ FV/Catalog\ FV)^2 \times (Catalog\ PD)$
- Self Noise values shown are for a four-square-foot face area silencer
- For each doubling of the face area add 3 dB to the self-noise values listed
- For each halving of the face area subtract 3 dB from the self-noise values listed
- Weights and measures are listed for limited number of available sizes

Ultra Pals™ Packless Silencers

Type: XL

Forward & Reverse Flow Ratings



- NO FIBERGLASS
- NO MINERAL WOOL
- NO FOAM
- NO FILL OF ANY KIND

The IAC Type XL Packless Silencers provide excellent low frequency Dynamic Insertion Loss characteristics making them suitable for virtually any HVAC application.

The complete absence of fill, combined with ease of cleaning and draining, makes Ultra-Pals Silencers well suited for chemical plants, refineries and facilities handling gasoline, grease, solvents or other hazardous materials.

The broad band Dynamic Insertion Loss characteristics of these packless silencers makes them an excellent choice for pharmaceutical, cosmetic, food & dairy plants, hospital operating rooms, electronic manufacturing and other clean room applications where particulate matter or fiber erosion from conventional fill materials could contaminate the air/gas streams.

Designating Silencers

Model: 5XL 24 x 18

Type: XL **Length:** 5' **Width:** 24" **Height:** 18"

Table I: Dynamic Insertion Loss (DIL) Ratings: Forward (+) / Reverse (-) Flow

IAC Model	Octave Band	1	2	3	4	5	6	7	8
	Hz	63	125	250	500	1K	2K	4K	8K
	Face Velocity, fpm	Dynamic Insertion Loss, dB							
3XL	-1500	9	12	18	21	13	11	9	7
	-1000	8	10	16	20	12	11	9	7
	0	8	7	15	17	11	11	9	8
	1000	7	8	17	21	13	11	9	8
	1500	7	9	18	21	14	13	9	9
6XL	-1500	12	20	25	30	19	16	13	10
	-1000	12	18	23	27	18	15	13	10
	0	8	11	19	23	16	14	13	11
	1000	11	14	23	28	19	15	13	12
	1500	10	15	24	30	21	17	14	12
9XL	-1500	19	28	32	38	27	21	16	11
	-1000	16	25	29	34	24	19	16	12
	0	11	15	22	27	20	18	16	15
	1000	13	20	29	33	25	20	16	16
	1500	13	21	29	35	26	23	18	15



(+) Forward Flow / (-) Reverse Flow. Aero-acoustic performance data based on NVLAP accredited laboratory tests conducted in strict accordance with ASTM E477-99. Contact IAC if attenuation in excess of 50 dB is required.

Table II: Weights & Measures

Nominal Length	W/In H/In	12	12	12	12	12	12	24	24	24	24	24	24
		12	18	24	30	36	48	12	18	24	30	36	48
3'	Wt/lb.	25	33	40	47	55	63	42	52	63	73	84	95
6'		50	66	80	94	110	125	85	104	126	146	168	188
9'		75	99	120	141	165	188	126	156	189	219	252	284

Table III: Aerodynamic Performance

IAC Model	L/Ft	Static Pressure Drop, i.w.g.															
		XL	3'	0.03	0.04	0.06	0.08	0.10	0.12	0.15	0.17	0.20	0.24	0.27	0.31	0.35	0.39
6'	0.04		0.05	0.07	0.10	0.12	0.15	0.18	0.22	0.26	0.30	0.34	0.39	0.44	0.49	0.55	0.60
9'	0.04		0.06	0.09	0.11	0.14	0.18	0.22	0.26	0.30	0.35	0.40	0.46	0.51	0.58	0.64	0.71
Silencer Face Velocity, fpm		250	300	350	400	450	500	550	600	650	700	750	800	850	900	950	1000

Table IV: Self-Noise Power Levels, dB re: 10-12 Watts

IAC Model	Octave Band	1	2	3	4	5	6	7	8
	Hz	63	125	250	500	1K	2K	4K	8K
	Silencer Face Velocity, fpm								
3XL	-1500	54	52	56	58	59	64	65	58
	-1000	42	44	49	51	55	59	55	45
	1000	46	42	44	46	52	57	55	52
	1500	54	54	57	54	54	62	65	59
6XL	-2000	64	61	58	59	60	64	67	64
	-1000	56	52	52	52	55	61	60	50
9XL	1000	58	54	49	46	52	60	60	50
	2000	66	67	65	61	58	63	69	67

(+) Forward Flow / (-) Reverse Flow. Aero-acoustic performance data based on NVLAP accredited laboratory tests conducted in strict accordance with ASTM E477-99.

TAKE NOTE!

- Silencer Face Area is the cross-sectional area at the silencer entrance
- Face Velocity is the CFM of airflow divided by the Face Area (in sq. ft.)
- Pressure Drop for any velocity can be calculated from this equation:
 $PD = (Actual\ FV/Catalog\ FV)^2 \times (Catalog\ PD)$
- Self Noise values shown are for a four-square-foot face area silencer
- For each doubling of the face area add 3 dB to the self-noise values listed
- For each halving of the face area subtract 3 dB from the self-noise values listed
- Weights and measures are listed for limited number of available sizes

Ultra Pals™ Packless Silencers

Type: KL

Forward & Reverse Flow Ratings



- NO FIBERGLASS
- NO MINERAL WOOL
- NO FOAM
- NO FILL OF ANY KIND

The IAC Type KL Packless Silencers combine excellent low frequency Dynamic Insertion Loss characteristics with a lower air flow pressure drop making them suit for higher velocity HVAC applications.

The complete absence of fill, combined with ease of cleaning and draining, makes Ultra-Pals Silencers well suited for chemical plants, refineries and facilities handling gasoline, grease, solvents or other hazardous materials.

The broad band Dynamic Insertion Loss characteristics of these packless silencers makes them an excellent choice for pharmaceutical, cosmetic, food & dairy plants, hospital operating rooms, electronic manufacturing and other clean room applications where particulate matter or fiber erosion from conventional fill materials could contaminate the air/gas streams.

Designating Silencers

Model: 5KL 24 x 18

Type: KL **Length:** 5' **Width:** 24" **Height:** 18"

Table I: Dynamic Insertion Loss (DIL) Ratings: Forward (+) / Reverse (-) Flow

IAC Model	Octave Band	1	2	3	4	5	6	7	8
	Hz	63	125	250	500	1K	2K	4K	8K
	Face Velocity, fpm	Dynamic Insertion Loss, dB							
3KL	-2000	7	9	16	14	11	8	7	6
	-1000	4	6	14	12	8	7	7	6
	0	5	4	11	9	7	7	7	5
	1000	4	5	13	11	7	7	6	4
	2000	5	7	15	13	10	8	7	5
6KL	-2000	9	10	22	16	11	9	8	9
	-1000	7	8	18	14	10	9	8	9
	0	6	6	16	14	9	9	9	8
	1000	6	7	18	14	10	9	8	8
	2000	8	8	21	16	12	10	8	7
9KL	-2000	13	15	28	19	15	10	10	9
	-1000	11	11	24	17	13	10	10	9
	0	9	9	20	17	12	11	10	9
	1000	10	9	24	17	13	11	10	8
	2000	11	11	28	19	15	12	10	8



(+) Forward Flow / (-) Reverse Flow. Aero-acoustic performance data based on NVLAP accredited laboratory tests conducted in strict accordance with ASTM E477-99. Contact IAC if attenuation in excess of 50 dB is required.

Table II: Weights & Measures

Nominal Length	W/In	15	15	15	15	15	15	15	30	30	30	30	30	30
	H/In	12	18	24	30	36	48	12	18	24	30	36	48	
3'	Wt/lb.	30	37	44	51	59	67	51	61	71	82	92	102	
6'		60	74	88	102	118	132	101	122	142	164	184	204	
9'		90	111	132	153	177	198	152	183	213	246	276	305	

Table III: Aerodynamic Performance

IAC Model	L/Ft	Static Pressure Drop, i.w.g.															
		0.03	0.05	0.06	0.08	0.11	0.13	0.16	0.19	0.22	0.25	0.29	0.33	0.38	0.42	0.47	0.52
KL	3'	0.03	0.05	0.06	0.08	0.11	0.13	0.16	0.19	0.22	0.25	0.29	0.33	0.38	0.42	0.47	0.52
	6'	0.04	0.05	0.07	0.10	0.12	0.15	0.18	0.22	0.25	0.29	0.34	0.38	0.43	0.49	0.54	0.60
	9'	0.05	0.06	0.09	0.12	0.15	0.18	0.22	0.26	0.30	0.35	0.41	0.46	0.52	0.58	0.65	0.72
Silencer Face Velocity, fpm		500	600	700	800	900	1000	1100	1200	1300	1400	1500	1600	1700	1800	1900	2000

Table IV: Self-Noise Power Levels, dB re: 10-12 Watts

IAC Model	Octave Band	1	2	3	4	5	6	7	8
	Hz	63	125	250	500	1K	2K	4K	8K
	Silencer Face Velocity, fpm								
3KL	-2000	49	51	54	58	59	63	63	54
	-1000	38	38	42	47	51	48	41	35
	1000	36	36	38	43	49	46	38	35
	2000	53	49	50	51	54	62	63	54
6KL	-2000	54	55	55	57	58	62	62	54
	-1000	44	50	44	51	52	49	40	24
9KL	1000	52	43	40	44	50	50	42	25
	2000	58	58	54	54	55	64	66	59

(+) Forward Flow / (-) Reverse Flow. Aero-acoustic performance data based on NVLAP accredited laboratory tests conducted in strict accordance with ASTM E477-99.

TAKE NOTE!

- Silencer Face Area is the cross-sectional area at the silencer entrance
- Face Velocity is the CFM of airflow divided by the Face Area (in sq. ft.)
- Pressure Drop for any velocity can be calculated from this equation:
 $PD = (Actual\ FV/Catalog\ FV)^2 \times (Catalog\ PD)$
- Self Noise values shown are for a four-square-foot face area silencer
- For each doubling of the face area add 3 dB to the self-noise values listed
- For each halving of the face area subtract 3 dB from the self-noise values listed
- Weights and measures are listed for limited number of available sizes

Ultra Pals™ Packless Silencers

Type: KM

Forward & Reverse Flow Ratings



The IAC Type KM Packless Silencers combine excellent low frequency Dynamic Insertion Loss characteristics with a lower air flow pressure drop making them suit for higher velocity HVAC applications.

The complete absence of fill, combined with ease of cleaning and draining, makes Ultra-Pals Silencers well suited for chemical plants, refineries and facilities handling gasoline, grease, solvents or other hazardous materials.

The broad band Dynamic Insertion Loss characteristics of these packless silencers makes them an excellent choice for pharmaceutical, cosmetic, food & dairy plants, hospital operating rooms, electronic manufacturing and other clean room applications where particulate matter or fiber erosion from conventional fill materials could contaminate the air/gas streams.

- NO FIBERGLASS
- NO MINERAL WOOL
- NO FOAM
- NO FILL OF ANY KIND

Designating Silencers

Model: 5KM 24 x 18

Type: KM **Length:** 5' **Width:** 24" **Height:** 18"

Table I: Dynamic Insertion Loss (DIL) Ratings: Forward (+) / Reverse (-) Flow

IAC Model	Octave Band	1	2	3	4	5	6	7	8
	Hz	63	125	250	500	1K	2K	4K	8K
	Face Velocity, fpm	Dynamic Insertion Loss, dB							
3KM	-2000	4	5	10	16	14	10	7	7
	-1000	3	3	7	13	12	8	7	7
	0	3	2	5	12	11	7	7	6
	1000	3	3	6	13	11	7	6	5
	2000	3	4	7	14	14	8	6	5
6KM	-2000	9	9	17	24	21	9	9	8
	-1000	8	5	12	19	16	8	9	8
	0	5	4	9	18	15	9	9	8
	1000	6	4	10	19	16	9	9	7
	2000	7	5	13	23	20	10	9	8
9KM	-2000	12	12	23	33	25	12	12	10
	-1000	10	8	16	27	20	11	13	10
	0	9	6	12	25	20	12	12	11
	1000	9	7	15	26	21	12	12	10
	2000	8	9	18	31	25	14	12	10



(+) Forward Flow / (-) Reverse Flow. Aero-acoustic performance data based on NVLAP accredited laboratory tests conducted in strict accordance with ASTM E477-99. Contact IAC if attenuation in excess of 50 dB is required.

Table II: Weights & Measures

Nominal Length	W/In H/In	15	15	15	15	15	15	30	30	30	30	30	30
3'	Wt/lb.	32	41	50	58	67	76	53	76	91	106	121	126
6'		64	82	100	116	134	152	124	152	182	212	242	272
9'		96	123	150	174	201	226	185	228	273	318	363	408

Table III: Aerodynamic Performance

IAC Model	L/Ft	Static Pressure Drop, i.w.g.															
		KM	3'	0.03	0.04	0.05	0.07	0.09	0.11	0.13	0.15	0.18	0.21	0.24	0.27	0.31	0.35
6'	0.03		0.04	0.06	0.08	0.10	0.12	0.15	0.18	0.21	0.24	0.28	0.32	0.36	0.40	0.45	0.50
9'	0.04		0.05	0.07	0.09	0.12	0.14	0.17	0.20	0.24	0.28	0.32	0.36	0.41	0.46	0.51	0.57
Silencer Face Velocity, fpm		500	600	700	800	900	1000	1100	1200	1300	1400	1500	1600	1700	1800	1900	2000

Table IV: Self-Noise Power Levels, dB re: 10-12 Watts

IAC Model	Octave Band	1	2	3	4	5	6	7	8
	Hz	63	125	250	500	1K	2K	4K	8K
	Silencer Face Velocity, fpm								
3KM	-2000	49	51	54	58	59	63	63	54
	-1000	38	38	42	47	51	48	41	35
	1000	36	36	38	43	49	46	38	35
	2000	53	49	50	51	54	62	63	54
6KM	-2000	54	55	55	57	58	62	62	54
	-1000	44	50	44	51	52	49	40	24
	1000	52	43	40	44	50	50	42	25
	2000	58	58	54	53	55	64	66	59

(+) Forward Flow / (-) Reverse Flow. Aero-acoustic performance data based on NVLAP accredited laboratory tests conducted in strict accordance with ASTM E477-99.

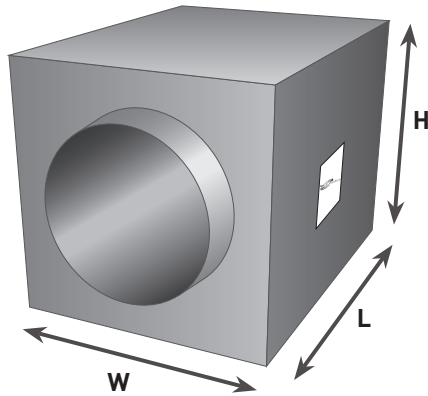
TAKE NOTE!

- Silencer Face Area is the cross-sectional area at the silencer entrance
- Face Velocity is the CFM of airflow divided by the Face Area (in sq. ft.)
- Pressure Drop for any velocity can be calculated from this equation:
 $PD = (\text{Actual FV}/\text{Catalog FV})^2 \times (\text{Catalog PD})$
- Self Noise values shown are for a four-square-foot face area silencer
- For each doubling of the face area add 3 dB to the self-noise values listed
- For each halving of the face area subtract 3 dB from the self-noise values listed
- Weights and measures are listed for limited number of available sizes

Tubular Ultra Pals™ Packless Silencers

Type: TXS / TXL

Forward & Reverse Flow Ratings



- NO FIBERGLASS
- NO MINERAL WOOL
- NO FOAM
- NO FILL OF ANY KIND

The IAC Type TXS/TXL Tubular Packless Silencers have been designed primarily for use in fume hood applications. The complete absence of fill, combined with ease of cleaning and draining, makes these silencers ideally suited for chemical plants, refineries and facilities handling gasoline, grease, solvents or other hazardous materials.

The broad band Dynamic Insertion Loss characteristics of these silencers makes them an excellent choice for pharmaceutical, cosmetic, food & dairy plants, hospital operating rooms, electronic manufacturing and other clean room applications where particulate matter or fiber erosion from conventional fill materials could contaminate the air/gas streams.

Designating Silencers

Model: 12TXS 36

Type: TXS **Diameter:** 12" **Length:** 36"

Table I: Dynamic Insertion Loss (DIL) Ratings: Forward (+) / Reverse (-) Flow

IAC Model	Octave Band	1	2	3	4	5	6	7	8
	Hz	63	125	250	500	1K	2K	4K	8K
	Face Velocity, fpm	Dynamic Insertion Loss, dB							
8TXS36	-2000	15	20	26	17	12	12	12	7
	-1000	15	18	26	16	11	12	12	8
	0	15	18	26	16	10	12	12	8
	1000	15	18	26	16	10	12	11	7
	2000	15	19	26	18	12	11	11	6
8TXL36	-2000	13	16	25	16	9	7	6	4
	-1000	13	16	25	15	8	7	6	3
	0	13	15	25	14	8	7	6	3
	1000	13	15	25	14	8	7	6	4
	2000	12	15	25	15	8	7	6	4
12TXS36	-2000	11	13	23	25	18	12	13	9
	-1000	9	11	19	22	14	11	13	9
	0	7	8	17	20	13	10	11	8
	1000	7	8	17	20	13	10	11	8
	2000	7	8	18	22	15	10	11	8
12TXL36	-2000	5	8	16	16	7	6	5	4
	-1000	5	8	16	16	7	6	5	4
	0	4	8	16	16	7	7	5	3
	1000	4	8	16	16	7	7	5	3
	2000	5	8	16	17	7	7	5	3



(+) Forward Flow / (-) Reverse Flow. Aero-acoustic performance data based on NVLAP accredited laboratory tests conducted in strict accordance with ASTM E477-99. Contact IAC if attenuation in excess of 50 dB is required.

Table II: Aerodynamic Performance

IAC Model	Diameter, In.	Width, In.	Height, In.	Length, In.	Weight, lb.	Static Pressure Drop, i.w.g.							
						0.15	0.20	0.26	0.33	0.41	0.50	0.59	0.69
TXS	8	21	21	36	30	0.15	0.20	0.26	0.33	0.41	0.50	0.59	0.69
TXL	8	21	21	36	30	0.04	0.05	0.07	0.08	0.10	0.12	0.15	0.17
TXS	12	21	21	36	35	0.14	0.19	0.25	0.32	0.39	0.47	0.56	0.66
TXL	12	21	21	36	35	0.04	0.05	0.06	0.08	0.10	0.12	0.14	0.17
Silencer Face Velocity, fpm						1500	1750	2000	2250	2500	2750	3000	3250

Table IV: Self-Noise Power Levels, dB re: 10-12 Watts

IAC Model	Octave Band	1	2	3	4	5	6	7	8
	Hz	63	125	250	500	1K	2K	4K	8K
	Silencer Face Velocity, fpm								
TXS	-2000	54	47	49	47	51	50	46	38
	-1000	20	35	37	37	37	32	20	20
	1000	20	34	35	35	35	28	20	20
	2000	54	47	45	45	49	50	45	34
TXL	-2000	20	33	37	39	36	31	20	20
	-1000	20	20	25	25	23	20	20	20
	1000	20	22	28	28	25	20	20	20
	2000	20	35	42	41	35	29	20	20

(+) Forward Flow / (-) Reverse Flow. Aero-acoustic performance data based on NVLAP accredited laboratory tests conducted in strict accordance with ASTM E477-99.

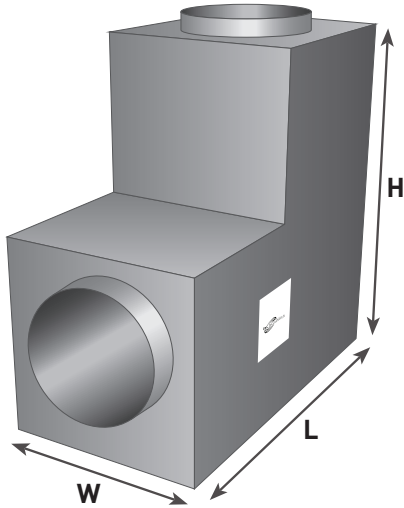
TAKE NOTE!

- Silencer Face Area is the cross-sectional area at the silencer entrance
- Face Velocity is the CFM of airflow divided by the Face Area (in sq. ft.)
- Pressure Drop for any velocity can be calculated from this equation:
 $PD = (Actual\ FV/Catalog\ FV)^2 \times (Catalog\ PD)$
- Self Noise values shown are for a four-square-foot face area silencer
- For each doubling of the face area add 3 dB to the self-noise values listed
- For each halving of the face area subtract 3 dB from the self-noise values listed
- Weights and measures are listed for limited number of available sizes

Tubular Elbow Ultra Pals™ Packless Silencers

Type: TXLB

Forward & Reverse Flow Ratings



- NO FIBERGLASS
- NO MINERAL WOOL
- NO FOAM
- NO FILL OF ANY KIND

The IAC Type TXLB Tubular Elbow Packless Silencers have been designed primarily for use in fume hood applications. The complete absence of fill combined with ease of cleaning and draining makes the Type TXLB ideally suited for chemical plants, refineries and facilities handling gasoline, grease, solvents or other hazardous materials. The elbow configuration makes for a compact arrangement suitable for low head-room or tight space installations.

The broad band Dynamic Insertion Loss characteristics of these silencers makes them an excellent choice for pharmaceutical, cosmetic, food & dairy plants, hospital operating rooms, electronic manufacturing and other clean room applications where particulate matter or fiber erosion from conventional fill materials could contaminate the air/gas streams.

Designating Silencers

Model: 12TLB 36

Type: TXLB **Diameter:** 12" **Length:** 36"

Table I: Dynamic Insertion Loss (DIL) Ratings: Forward (+) / Reverse (-) Flow

IAC Model	Octave Band	1	2	3	4	5	6	7	8
	Hz	63	125	250	500	1K	2K	4K	8K
	Face Velocity, fpm	Dynamic Insertion Loss, dB							
8TXLB36	-2000	10	14	26	20	17	14	12	9
	-1000	10	14	26	18	14	14	11	9
	0	9	13	25	17	14	13	10	8
	1000	10	13	25	17	14	13	11	8
	2000	10	13	24	19	16	14	12	8
12TXLB36	-2000	7	8	21	20	15	11	9	4
	-1000	7	8	20	19	13	10	8	4
	0	5	6	18	17	11	9	7	3
	1000	5	6	18	17	11	9	7	3
	2000	6	7	18	19	14	10	8	3



(+) Forward Flow / (-) Reverse Flow. Aero-acoustic performance data based on NVLAP accredited laboratory tests conducted in strict accordance with ASTM E477-99. Contact IAC if attenuation in excess of 50 dB is required.

Table II: Aerodynamic Performance

IAC Model	Diameter, In.	Width, In.	Height, In.	Length, In.	Weight, lb.	Static Pressure Drop, i.w.g.							
						0.05	0.09	0.14	0.20	0.28	0.36	0.46	0.56
TXLB	8	21	21	36	110	0.05	0.09	0.14	0.20	0.28	0.36	0.46	0.56
	12	21	21	36	120	0.05	0.09	0.14	0.20	0.28	0.36	0.46	0.56
Silencer Face Velocity, fpm						750	1000	1250	1500	1750	2000	2250	2500

Table IV: Self-Noise Power Levels, dB re: 10-12 Watts

IAC Model	Octave Band	1	2	3	4	5	6	7	8
	Hz	63	125	250	500	1K	2K	4K	8K
	Silencer Face Velocity, fpm								
8TXLB36	-2000	50	43	40	40	41	43	40	31
	-1000	42	32	32	26	23	20	20	20
	1000	42	29	27	32	30	23	21	20
	2000	51	43	41	43	45	49	45	33
12TXLB36	-2000	58	44	42	44	46	48	47	38
	-1000	50	40	34	35	31	27	20	20
	1000	52	38	34	34	35	27	20	20
	2000	62	47	43	45	49	52	49	38

(+) Forward Flow / (-) Reverse Flow. Aero-acoustic performance data based on NVLAP accredited laboratory tests conducted in strict accordance with ASTM E477-99.

TAKE NOTE!

- Silencer Face Area is the cross-sectional area at the silencer entrance
- Face Velocity is the CFM of airflow divided by the Face Area (in sq. ft.)
- Pressure Drop for any velocity can be calculated from this equation:
 $PD = (\text{Actual FV}/\text{Catalog FV})^2 \times (\text{Catalog PD})$
- Self Noise values shown are for a four-square-foot face area silencer
- For each doubling of the face area add 3 dB to the self-noise values listed
- For each halving of the face area subtract 3 dB from the self-noise values listed
- Weights and measures are listed for limited number of available sizes