

Acoustic Louvers

A Complete Range of Certified, High-Performance Acoustic Louvers to Solve Diverse Environmental Noise Pollution Problems



- Certified performance data per ASTM E90
- Easy to install and engineered for high performance
- Rugged galvanized construction (other materials available)
- Standard and specialty shaped louvers available
- Louver barriers/walls
- Airfoil and straight splitter blades available
- Variety of durable attractive finishes
- Over 60 years experience





Acoustic Louvers

A complete range of certified, high-performance acoustic louvers to solve diverse environmental noise pollution problems

IAC Acoustics is a leading global manufacturer of rugged, high performance acoustic louvers and has completed thousands of installations worldwide. Applications include:

Air Conditioning Systems & Equipment

- Return air & supply systems
- Cross-talk silencers
- Recording & broadcasting studios
- Air conditioning & refrigeration equipment
- Ventilation openings
- Cooling towers
- Data centers
- Fans
- Hospitals
- Hotels & motels
- Boiler rooms
- Conference rooms

Industrial, Transportation & Construction Equipment

- Diesel generator sets
- Marine or propulsion fans
- Machinery enclosures
- Gas turbines
- Oil coolers
- Electric motors
- Trucks & buses
- Locomotives
- Transformer barriers
- Tractors
- Pumps
- Bulldozers
- Air compressors
- Diesel powered vehicles & equipment
- Industrial cooling towers
- Noise barriers
- Air coolers

IAC Acoustics can provide louver solutions to combat environmental noise problems in mixed commercial and residential areas, carrying out all relevant noise surveys and acoustical analysis.

Integrated or Standalone

Our acoustic louvers can be used as standalone screens around mechanical plants, or be integrated into walls and building facades.

Form and Function Together

IAC Acoustics Noishield™ (curved) or Slimshield™ (linear) blade louver styles can be used to match the overall scale and aesthetics of a new or existing building.

Our acoustic louvered screens result in a high performance solution to unwanted levels of noise without the need for additional architectural cladding.



Acoustic Louvers Range

Noishield™ – Airfoil Blade

- Model R & Model LP: 12" (305mm) deep
- Model 2R & Model 2LP: 24" (610mm) deep
- LF2-24: 24" (610mm) deep

Slimshield™ – Linear Blade

- SL-4: 4" (101mm deep)
- SL-6: 6" (152mm) deep
- SL-12: 12" (305mm deep)
- SL-24 (double banked): 24" (610mm deep)

Noishield™ Louvers – Sound Transmission Loss (dB)

Model	Louver Depth	Octave Band Center Frequency, Hz							
		63	125	250	500	1k	2k	4k	8k
		Sound Transmission Loss, dB							
Model R	12"	5	7	11	12	13	14	12	9
Model 2R	24"	6	12	15	21	24	27	25	20
Model LP	12"	4	5	8	9	12	9	7	6
Model 2LP	24"	5	8	12	16	22	18	15	14
Model LF2-24	24"	6	11	19	24	28	23	17	17

Slimshield™ Louvers – Sound Transmission Loss (dB)

Model	Louver Depth	Octave Band Center Frequency, Hz							
		63	125	250	500	1k	2k	4k	8k
		Sound Transmission Loss, dB							
SL-4	4"	5	4	5	6	9	13	14	13
SL-6	6"	6	6	8	10	14	18	16	15
SL-12	12"	6	7	10	12	18	18	14	13
SL-24	24"	7	9	12	24	31	33	29	30

IAC Acoustics' acoustical louvers adhere to and are applicable to ASTM Standard E90.

Product Features

Our acoustic louvers are multi-purpose, permitting air to flow, while shielding the environment from unwanted noise.

Both IAC Acoustics Noishield™ and Slimshield™ louvers are available in an array of standard modular sizes, meaning that a wide range of performance requirements can be met. By using our range of acoustic louvers, it overcomes architectural consistency issues, especially where space is limited.

Where access is required, both Noishield™ and Slimshield™ acoustic louvers can be supplied as doorsets, either for inclusion in louvered screens, or as standalone units.

Noishield™ Special Features

- Suitable for use behind architectural louvers (4" / 101mm air space is required between faces)
- Bold, curved blade appearance
- A highly economical louver system

Slimshield™ Special Features

- Linear appearance
- Superior high frequency performance

Finishes Available

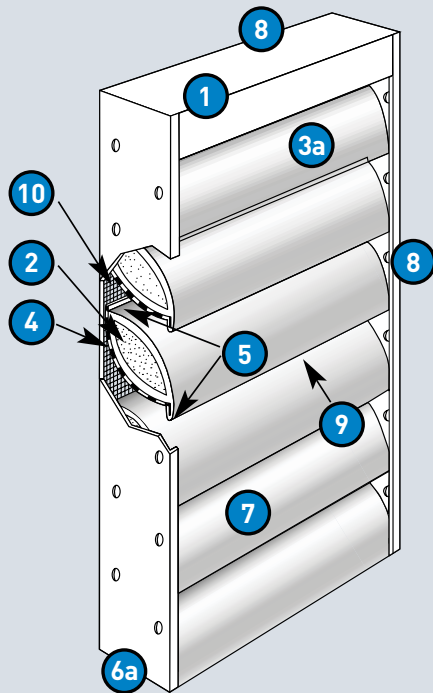
- Galvanized mill steel
- Aluminum
- Stainless steel
- Power coated finish

Other non-standard finishes are available including:

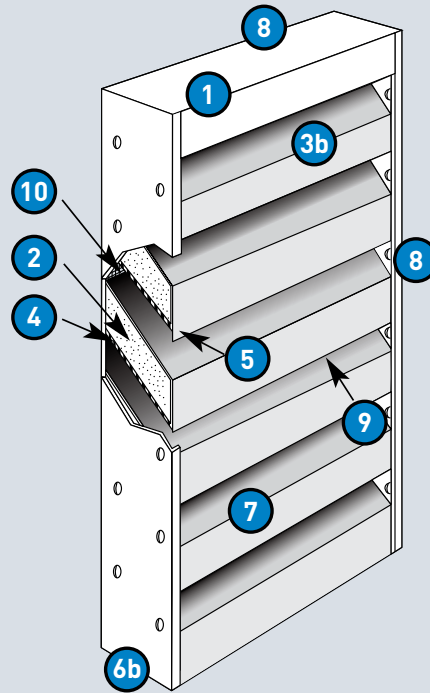
- Galvanized G-90 mill finish
- Galvannealed A-60 in various finishes
- Anodized aluminum
- Stainless steel
- Kynar finish



Noishield™ Louver

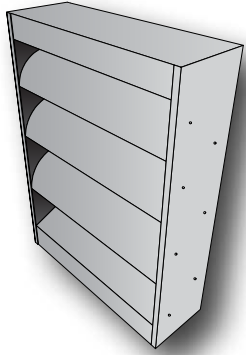


Slimshield™ Louver



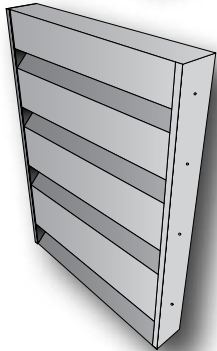
- ① Rugged all-steel galvanized construction. Stainless steel, aluminum and other materials are also available
- ② Inert, vermin-proof, weather-rated non combustible acoustic fill
- ③a **FOR NOISHIELD™** airfoil shaped splitter blade for maximum noise reduction with minimum pressure drop
- ③b **FOR SLIMSHIELD™** linear blade appearance for superior high frequency performance
- ④ Perforated splitter underside for maximum sound absorption
- ⑤ Weather stop inhibits rain / snow entry
- ⑥a **FOR NOISHIELD™** 12" (305mm) for the single banked system or 24" (610mm) deep for the double banked system
- ⑥b **FOR SLIMSHIELD™** 4, 6, 12" (101, 152, 305mm) deep single banked systems and 24" (610mm) deep for the double banked system
- ⑦ Available in a variety of durable, attractive finishes, including powder finish, Kynar, mill finish aluminum, anodized aluminum, galvanized and stainless steel
- ⑧ Modular sizes enable assembly of rectilinear louver 'screens' of almost any size
- ⑨ Louver blade orientation blocks horizontal line of site, enhancing both aesthetics and acoustic performance
- ⑩ Bird screens are available in galvanized or stainless steel, insect screens can also be supplied

How to Specify Acoustic Louvers



Specifying Noishield™ Louvers

Furnish and install Noishield™ louvers as manufactured by IAC Acoustics. For Model R, Model LP and Model LF2-24, outer casings are made of 16 gauge (1.613 mm) galvanized steel. Louver splitter blades (baffles) are airfoil configuration and made of 22 gauge (0.8534 mm) galvanized steel. They are packed with inert, vermin and moisture proof mineral fiber and provide the acoustical performance as indicated. For Model R, Model 2R, Model LP and Model 2LP, birdscreens are standard on one side only. Birdscreens will be installed on the perf side as standard.



Specifying Slimshield™ Louvers

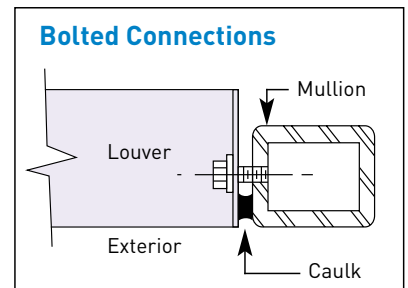
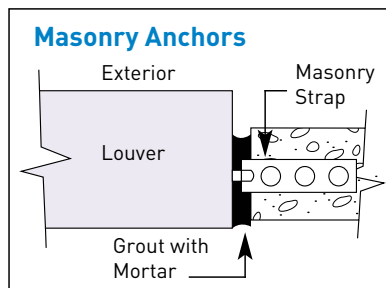
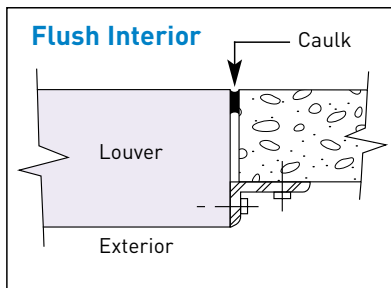
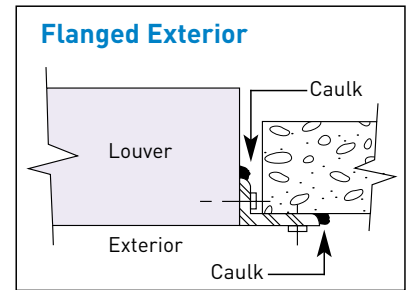
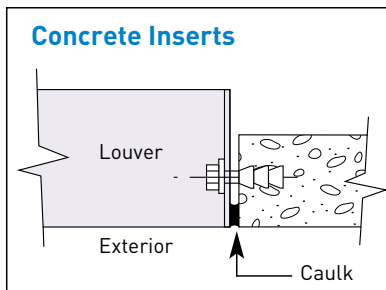
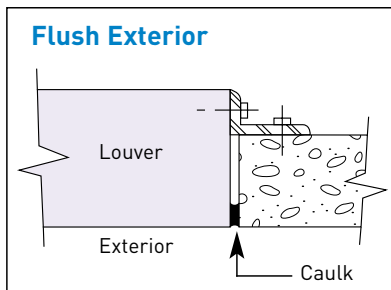
Furnish and install Slimshield™ louvers as manufactured by IAC Acoustics. For SL-4, outer casings are made of 18 gauge (1.27 mm) galvanized steel. For SL-6, SL-12 and SL-24, outer casings are made of 16 gauge (1.613 mm) galvanized steel. Louver splitter blades (baffles) for all models are made of 22 gauge (0.8534 mm) galvanized steel. They are packed with inert, vermin and moisture proof mineral fiber and provide the acoustical performance as indicated.

For Noishield™ Model LF2-24 and all Slimshield™ louvers, birdscreens are not included. Please contact IAC Acoustics for birdscreen options.

IAC Acoustics' acoustical louvers adhere to and are applicable to ASTM Standard E90.

Acoustic Louver Installation

Typical details are shown below. IAC Acoustics will supply all supporting steelwork if necessary. For large louver banks, IAC Acoustics can supply supporting steelwork, engineering services and drawings along with installation if desired.



Acoustic Louvered Doors

- Single and double doors are available from the IAC Acoustics louver range
- The structural minimum is 33 ½" (850 mm) and is available up to 49" x 116" (1250 x 2950 mm) high as standard for a single door, and 98" x 116" (2500 x 2950 mm) high for a double door. Other widths and heights are available on request
- All doors can be supplied with various hardware, including hinges, latches, screws, nuts, bolts, washers, handles and supporting frames
- Acoustic louvered doors can be fitted with bird or insect screens on request
- Doors can be powder coated to match adjoining louvers
- Materials for the door and door frame include galvanized steel, stainless steel and aluminum
- Other door options may be available in the entire IAC Acoustics louver range. Please contact IAC Acoustics for more details.

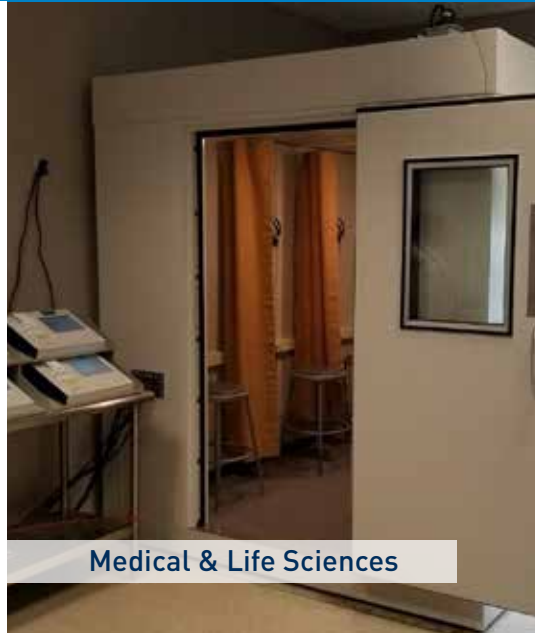


Making the World a Quieter Place

Markets Served by IAC Acoustics



Architectural



Medical & Life Sciences



Test Facilities



Industrial



Dyno Test Rooms



HVAC

www.iacacoustics.com

Follow Us

