



Data Sheet

Super Noise-Lock® Sliding Door



IAC Acoustics Super Noise-Lock Sliding Doors have been installed in hundreds of industrial and commercial buildings throughout the world. IAC's Sliding Doors are beneficial in virtually any situation where sound must be contained within or excluded from a room or building.

Standard Features

- Field verified performance rating
- Rugged steel construction
- Manufactured to custom sizes
- Available as horizontal slide (single slab or bi-parting) & vertical lift
- Glazing options available
- Available with manual or electric operation
- 4" or 6" thick door leaf

Optional Features

- Available with Noise-Lock® (man doors) within as means of egress
- Fire rated construction
- Blast & ballistic ratings

Standard Features



Acoustic
Rated



Easy Access
Flat Thresholds



Blast
Resistance



Ballistic
Ratings



Fire
Rated

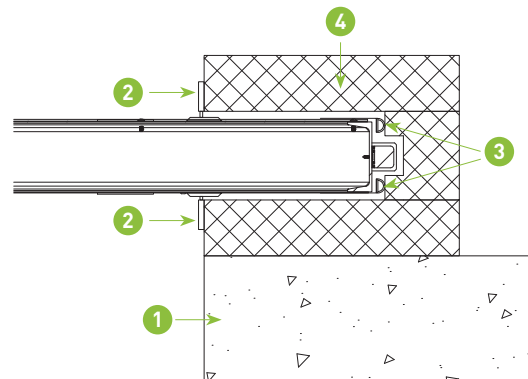


Typical Applications

- Stage doors for theaters
- TV & movie sets
- Theater backstage
- Industrial & automotive testing facilities
- Hangers
- Power generation
- Industrial enclosures
- Anechoic chambers

Sliding Door Seal Detail

- 1 Host Wall
- 2 Wiper Seals
- 3 Seal – “D” Bulb Seal/Compression
- 4 Acoustic Labyrinth



Acoustic Rating

STC 50 (dB) to achieve minimum NIC 45 and STC 55 (dB) to achieve minimum NIC 50 once installed (subject to flanking).

Frequency (Hz)	125	160	200	250	315	400	500	630	800	1000	1250	1600	2000	2500	3150	4000
STC 50 (NIC 46 Performance) Swing	48	51	50	46	44	47	49	47	49	48	45	47	45	47	46	46
STC 55 (NIC 53 Performance) Swing	48	44	45	48	51	51	52	50	52	51	50	52	58	59	64	65
STC 55 (NIC 54 Performance) Sliding	45	45	45	45	49	49	49	52	52	52	60	60	65	65	65	63

